

Rated current (A)	Cable		Copper bar	
	Section (mm ²)	Quantity	Width x thickness (mm)	Quantity
500	150	2	30×5	2
630	185	2	40×5	2
700, 800	240	2	50×5	2
			50×10	1
900, 1000	-	-	50×5	3
			63×10	1
1250	-	-	50×5	3
			40×10	2
1600	-	-	60×5	4
			60×10	2

The above reference section is the reference value under 40 degrees operating environmental temperature.

The recommended value of tightening torque of different housing current connecting cable/copper bar is as follows:

Rated current (A)	63A/125A	160A	250A/320A	400A/630A	800A	1000A/1250A/1600A
Torque (N m) ¹⁾	3/6 ⁴⁾	10	12	30	30	30
Torque (N m) ²⁾	3/6 ⁴⁾	10	12	30	30	30
Torque (N m) ³⁾	3/6 ⁴⁾	10	12	30	30	30

¹⁾ Tighten the torque of busbar (or extension busbar/connection lug) in case of connecting with the body directly.

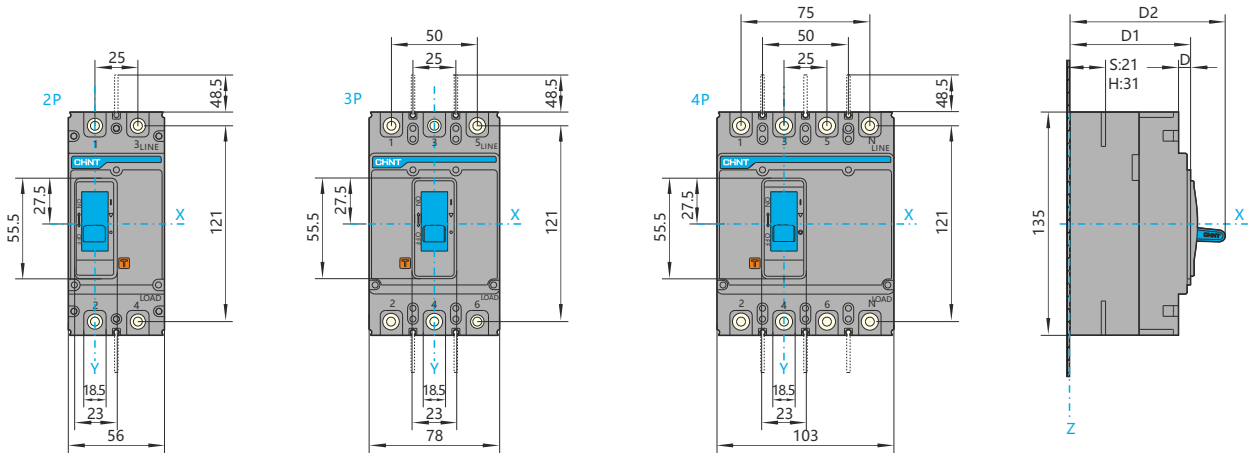
²⁾ Tighten the torque of connecting terminal behind the stationary breaker/tighten the torque of connecting terminal of plug in breaker.

³⁾ Tighten the torque of extension busbar of terminal on the plug-in pedestal.

⁴⁾ Value of torque is 3 for 10A~63A of frame current 63 and 125A breaker, value of torque is 6 for 70A~125A for frame current 125A breaker.

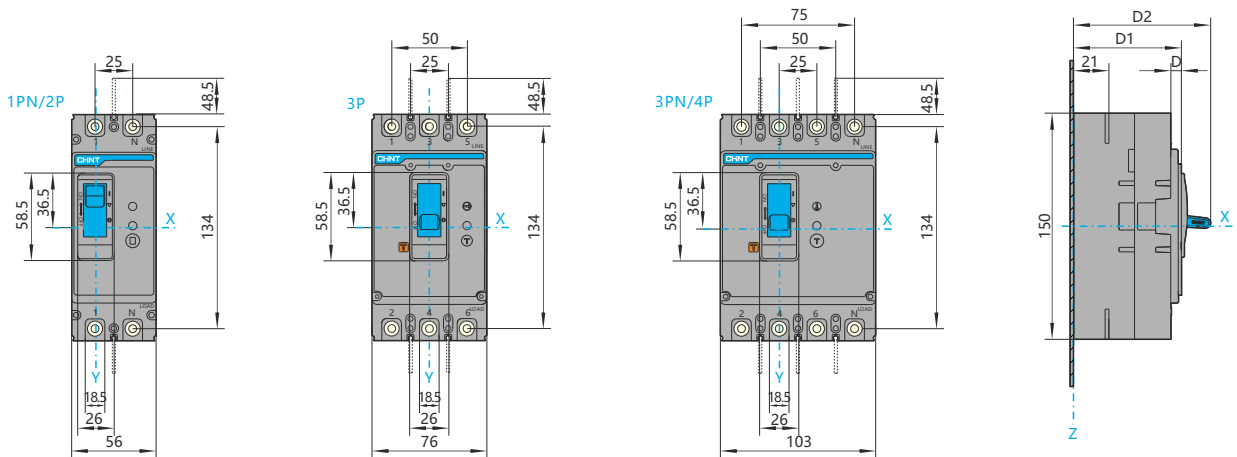
NXM- 63E/S/F/H, 125E/S/F/H, NXHM- 63, 125

Front connection, dimension (mm)



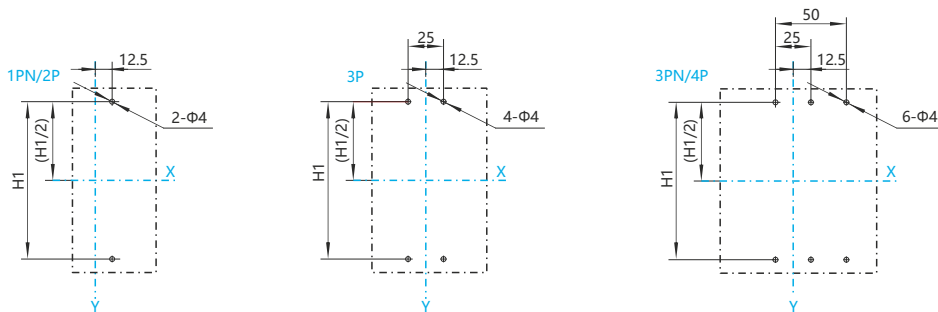
NXMLE-125S/F/H

Front connection, dimension (mm)



NXM-63E/F/S/H, 125E/F/S/H, NXHM-63,125,NXMLE-125F/S/H

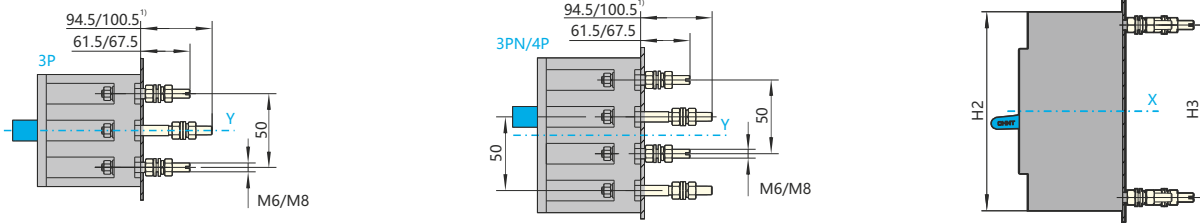
Installation size of baseplate



Specification and model	D1	D2	D	H1			Remark
				1PN/2P	3P	3PN/4P	
NXM-63E/S, 125E/S	70.5	90	7	117	117	117	2P/3P/4P
NXM-63F/H, 125F/H	80.5	100	7	-	117	117	3P/4P
NXMLE-125S	71	90	7	133.6	133.6	133.6	1PN/2P/3P/3PN/4P
NXMLE-125F/H	81	100	7	-	133.6	133.6	3P/3PN/4P
NXHM-63, 125	70.5	90	7	-	117	117	3P/4P

NXM-63E/S/F/H, 125E/S/F/H, NXMLE-125S/F/H, NXHM-63, 125

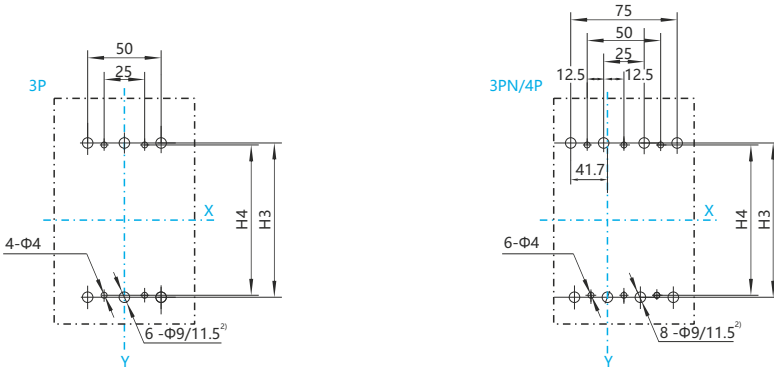
Rear connection (mm)



¹⁾ 94.5, 61.5, M6 are for frame current 10~63A breaker;
100.5, 67.5, M8 are for frame current 70~125A breaker;

NXM-63E/S/F/H, 125E/S/F/H, NXMLE-125S/F/H, NXHM-63, 125

Rear connection (mm)

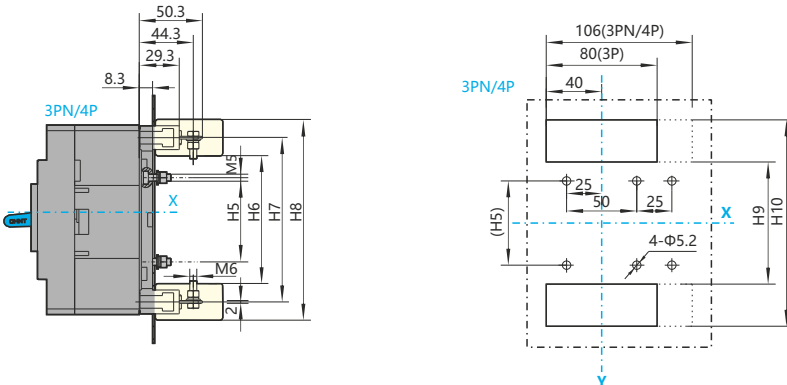


²⁾ Φ9 is for frame current 10~63A breaker;
Φ11.5 is for frame current 70~125A breaker;

Specification and model	H2	H3	H4	Remark
NXM-63E/S/F/H, 125E/S/F/H	135	121	117	3P/4P
NXMLE-125S/F/H	150	134	133.6	3P/3PN/4P
NXHM-63, 125	135	121	117	3P/4P

NXM-63E/S/F/H, 125E/S/F/H, NXMLE-125S/F/H, NXHM-63, 125

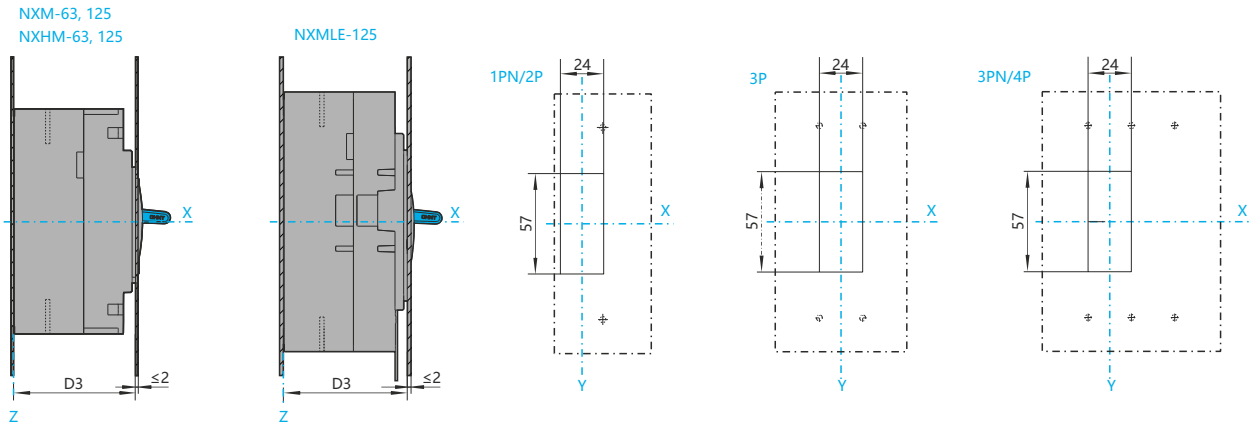
Plug-in rear connection (mm)



Specification and model	H5	H6	H7	H8	H9	H10	Remark
NXM-63E/S/F/H, 125E/S/F/H	60	75	121	159	92	144	3P/4P
NXMLE-125S/F/H	80	106.5	134	158.5	114	151	3P/3PN/4P
NXHM-63, 125	60	75	121	159	92	144	3P/4P

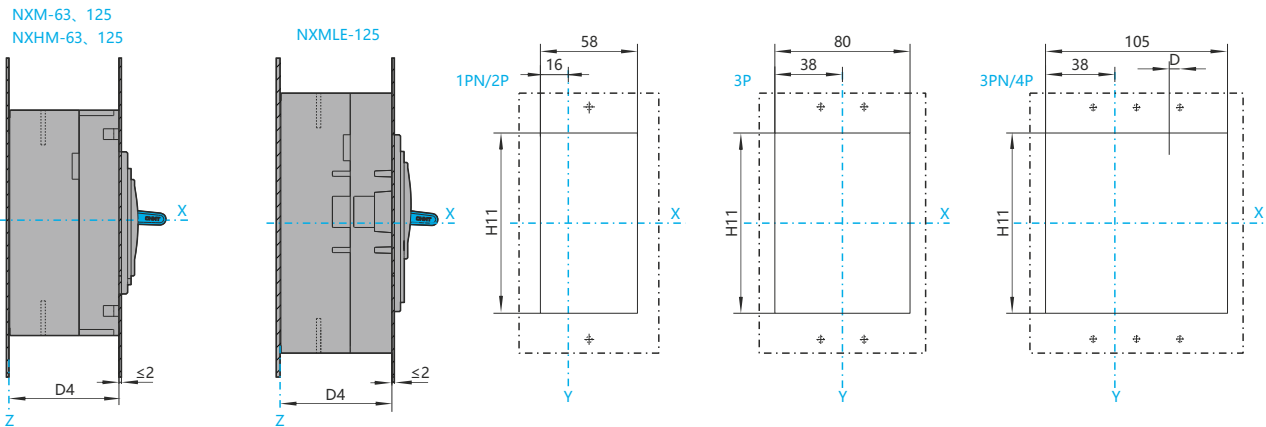
NXM-63E/S/F/H, 125E/S/F/H, NXMLE-125S/F/H, NXHM-63, 125

Cabinet gate hole (small) size (mm)



NXM-63E/S/F/H, 125E/S/F/H, NXMLE-125S/F/H, NXHM-63, 125

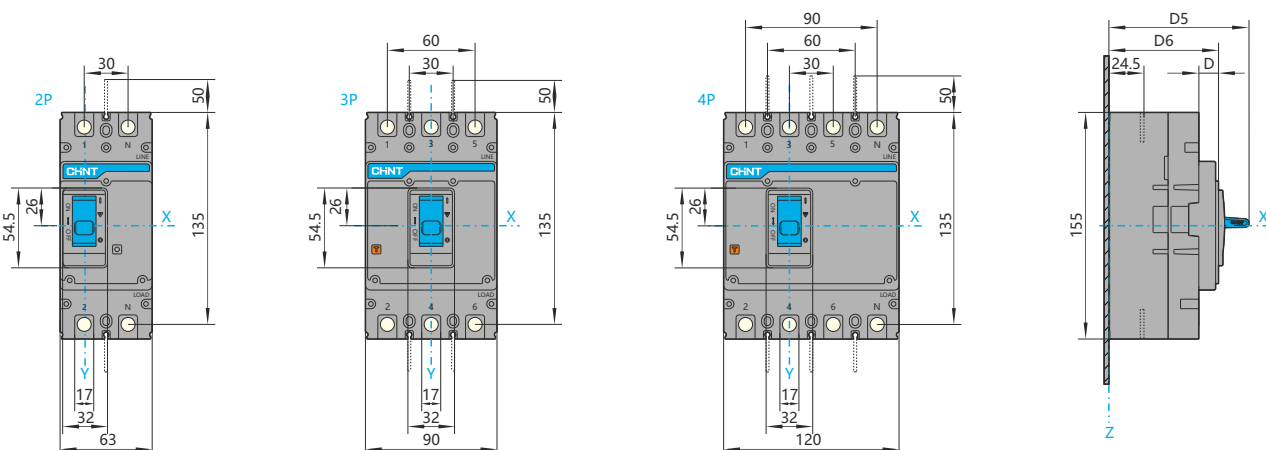
Cabinet gate hole (large) size (mm)



Specification and model	D3	D4	H11			Remark
			1PN/2P	3P	3PN/4P	
NXM-63E/S, 125E/S	70.5	63.5	86	86	86	2P/3P/4P
NXM-63F/H, 125F/H	80.5	73.5	-	86	86	3P/4P
NXMLE-125S	71.5	64.5	104	104	104	1PN/2P/3P/3PN/4P
NXMLE-125F/H	81	74	-	104	104	3P/3PN/4P
NXHM-63, 125	70.5	63.5	-	86	86	3P/4P

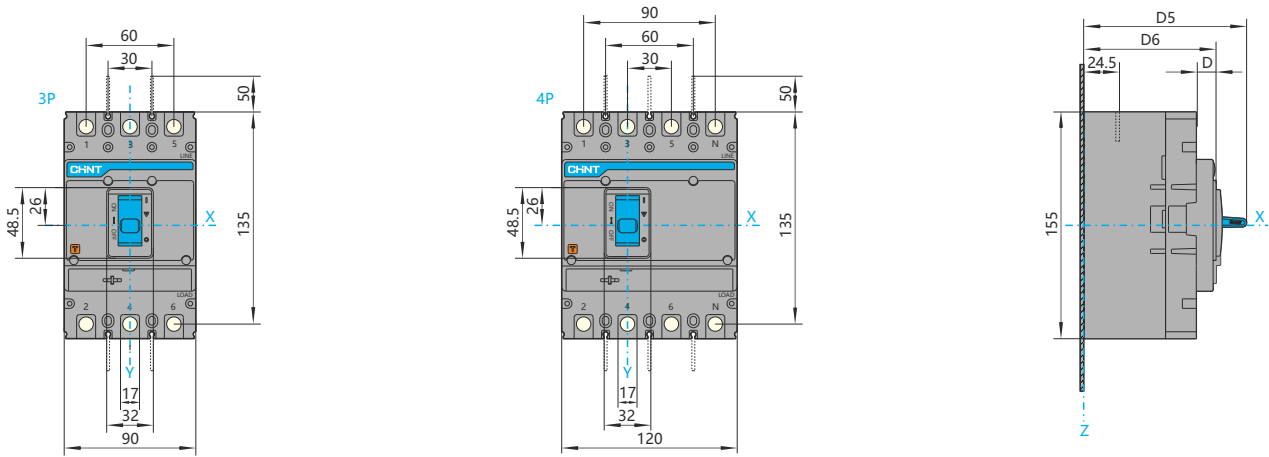
NXM-160E/S/F/H, NXHM-160

Rear connection, dimension (mm)



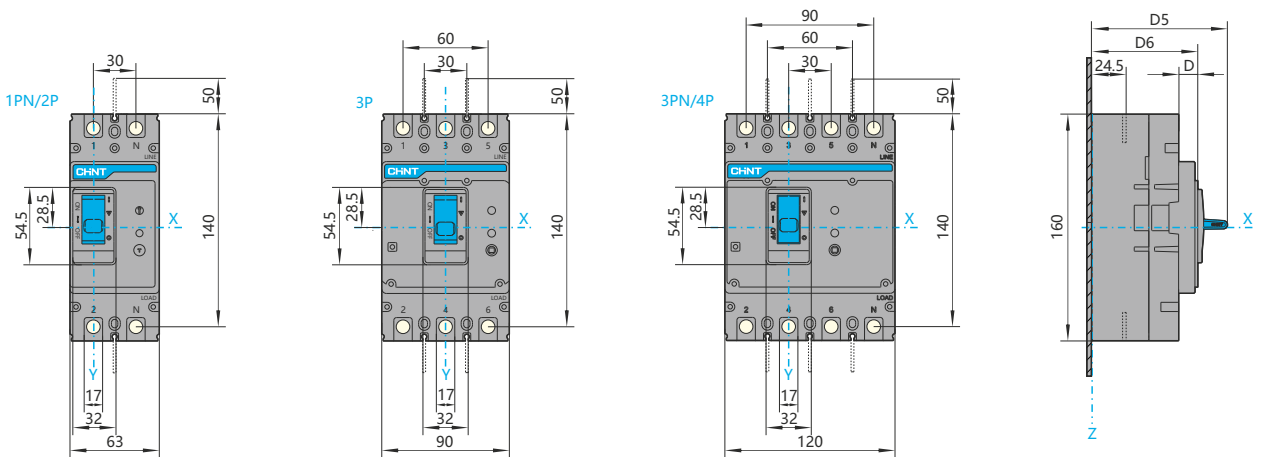
NXMS-160F/H

Front connection, dimension (mm)



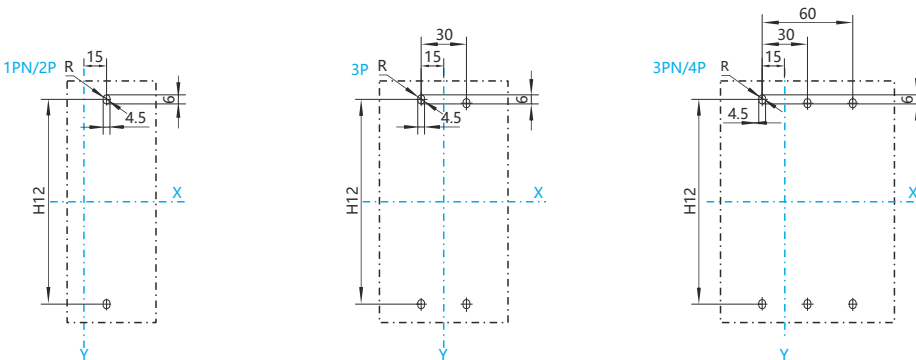
NXMLE-160S/F/H

Front connection, dimension (mm)



NXM-160E/S/F/H, NXMS-160F/H, NXMLE-160S/F/H, NXHM-160

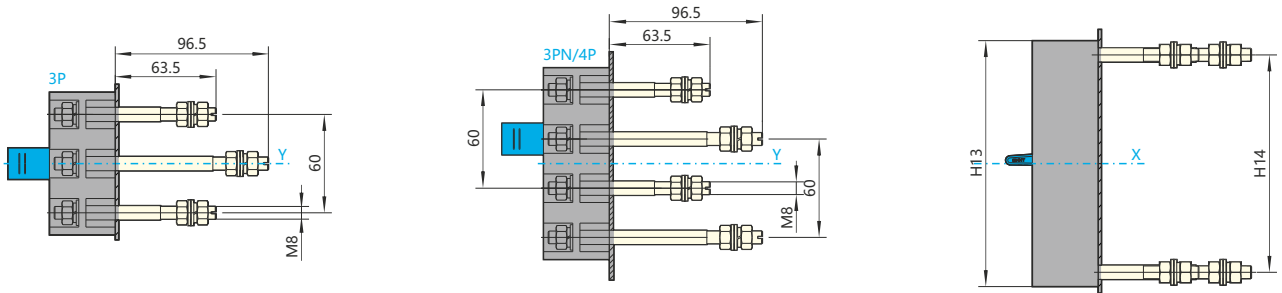
Installation size of baseplate (mm)



Specification and model	D6	D5	D	H12			Remark
				1PN/2P	3P	3PN/4P	
NXM-160E/S	75	96	13.5	130.5	130.5	130.5	2P/3P/4P
NXM-160F/H	90.5	112	13.5	-	130.5	130.5	3P/4P
NXMS-160F/H	90.5	112	13.5	130.5	130.5	130.5	3P/4P
NXMLE-160S	75	96	13.5	-	135.5	135.5	1PN/2P/3P/3PN/4P
NXMLE-160F/H	90.5	112	13.5	-	135.5	135.5	3P/3PN/4P
NXHM-160	90.5	112	13.5	-	130.5	130.5	3P/4P

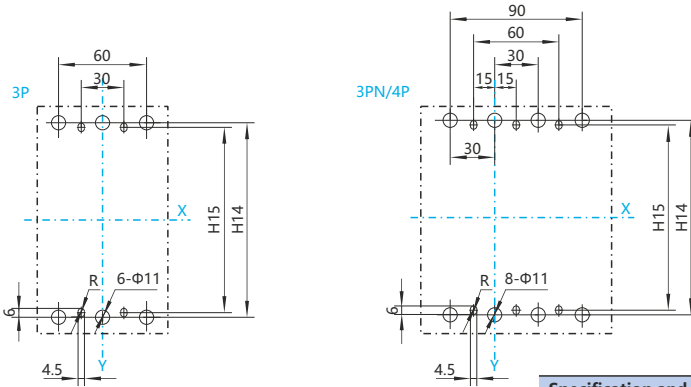
NXM-160E/S/F/H, NXMS-160F/H, NXMLE-160S/F/H, NXHM-160

Rear connection, dimension (mm)



NXM-160E/S/F/H, NXMS-160F/H, NXMLE-160S/F/H, NXHM-160

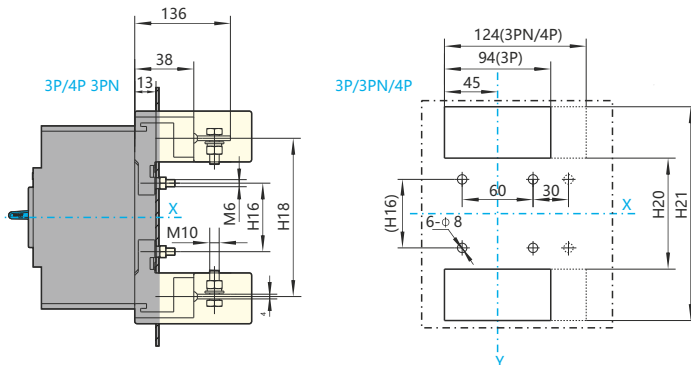
Plug-in rear connection, dimension (mm)



Specification and model	H13	H14	H15	Remark
NXM-160E/S/F/H	155	136	130.5	3P/4P
NXMS-160F/H	155	136	130.5	3P/4P
NXMLE-160S/F/H	160	140	135.5	3P/3PN/4P
NXHM-160	155	135	130.5	3P/4P

NXM-160E/S/F/H, NXMS-160F/H, NXMLE-160S/F/H, NXHM-160

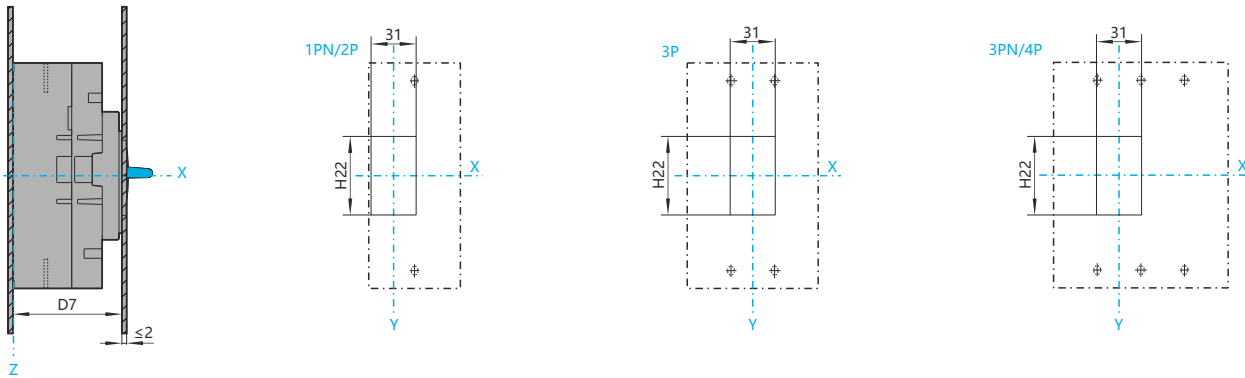
Plug-in back-panel wiring, outline and installation size (mm)



Specification and model	H16	H18	H20	H21	Remark
NXM-160E/S/F/H	72	135	106	167	3P/4P
NXMS-160F/H	72	135	106	167	3P/4P
NXMLE-160S/F/H	77	140	111	172	3P/3PN/4P
NXHM-160	72	135	106	167	3P/4P

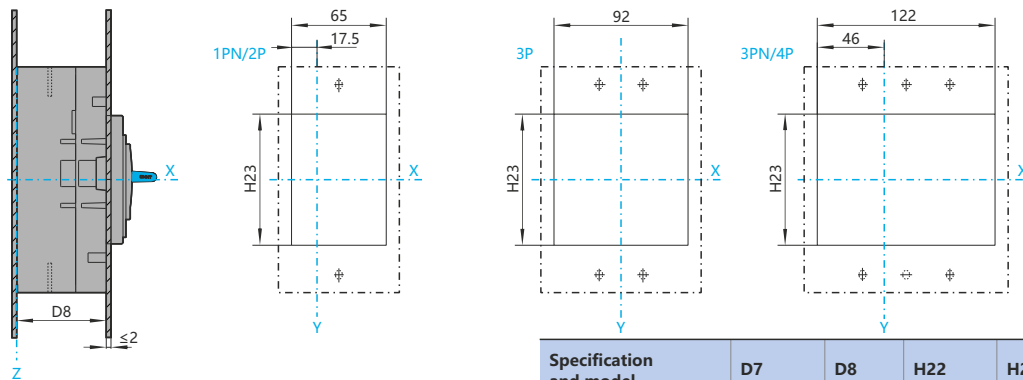
NXM-160E/S/F/H, NXMS-160F/H, NXMLE-160S/F/H, NXHM-160

Cabinet gate hole (small) size (mm)



NXM-160E/S/F/H, NXMS-160F/H, NXMLE-160S/F/H, NXHM-160

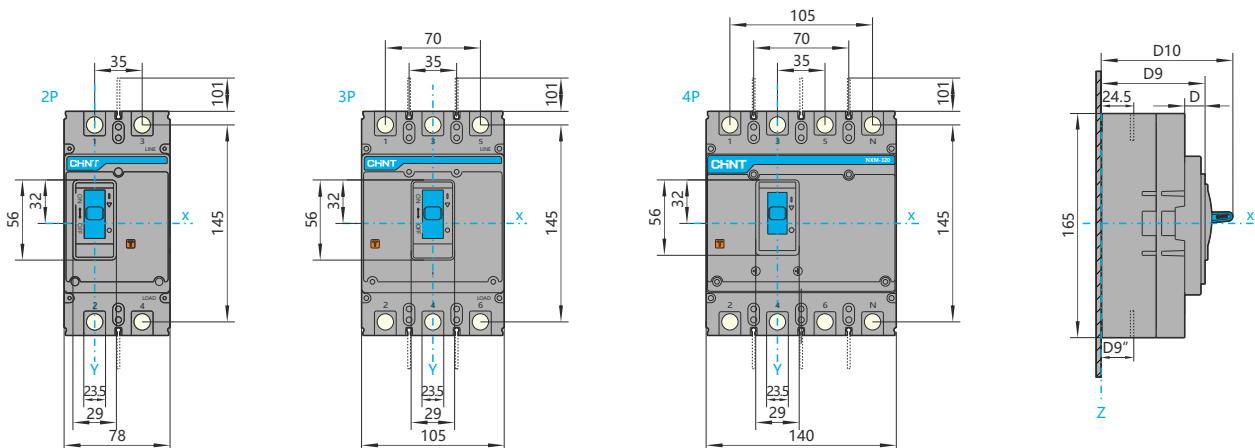
Cabinet gate hole (large) size (mm)



Specification and model	D7	D8	H22	H23	Remark
NXM-160E/S	75	61.5	54	90	2P/3P/4P
NXM-160F/H	90.5	77	54	90	3P/4P
NXMS-160F/H	90.5	77	48	92	3P/4P
NXMLE-160S	75	61.5	54	95	1PN/2P/3P/3PN/4P
NXMLE-160F/H	90.5	77	54	95	3P/3PN/4P
NXHM-160	90.5	77	54	90	3P/4P

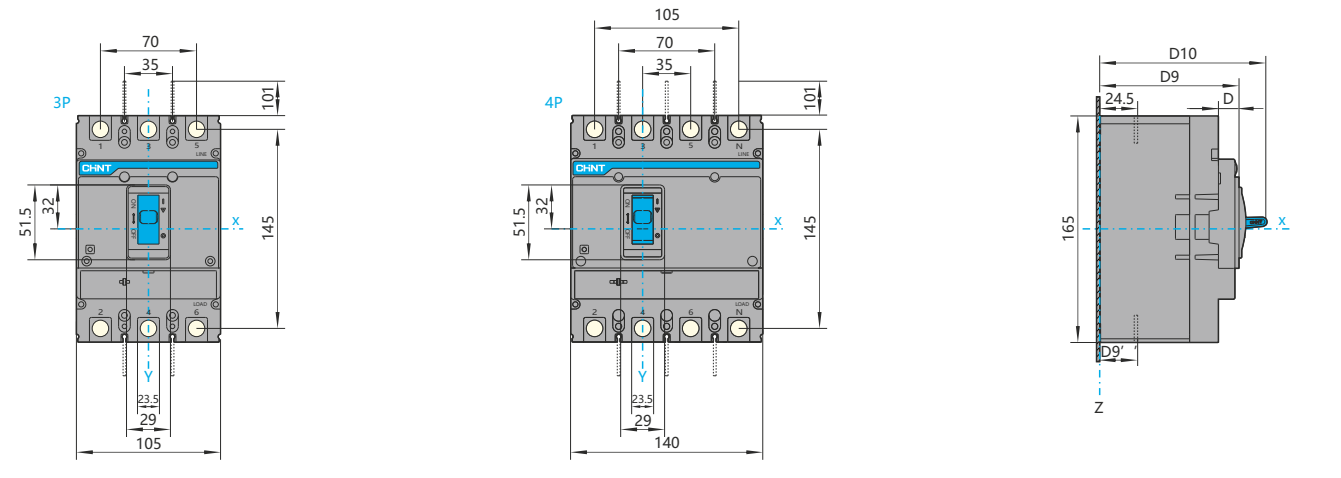
NXM-250E/S/F/H, NXHM-250, 320

Front connection, dimension (mm)



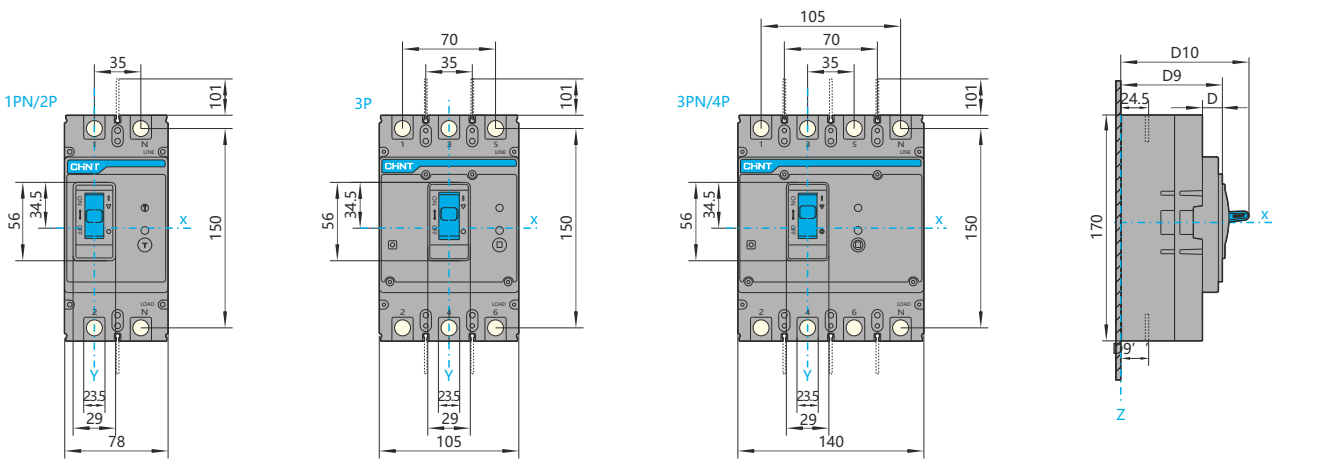
NXMS-250F/H

Front connection, dimension (mm)



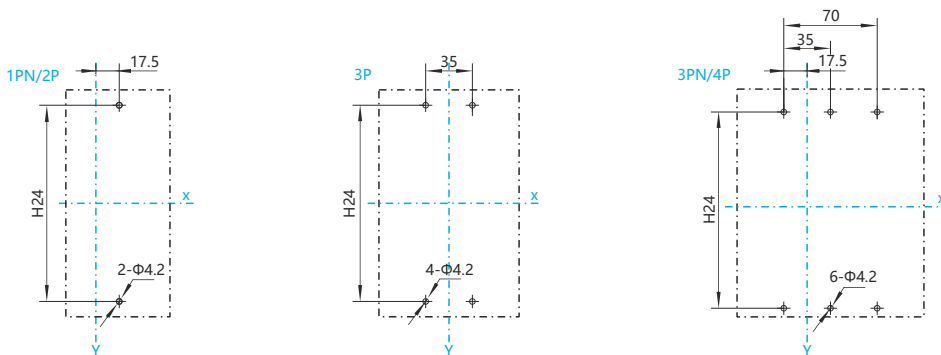
NXMLE-250S/F/H

Front connection, dimension (mm)



NXM-250E/S/F/H, NXMS-250F/H, NXMLE-250S/F/H, NXHM-250, 320

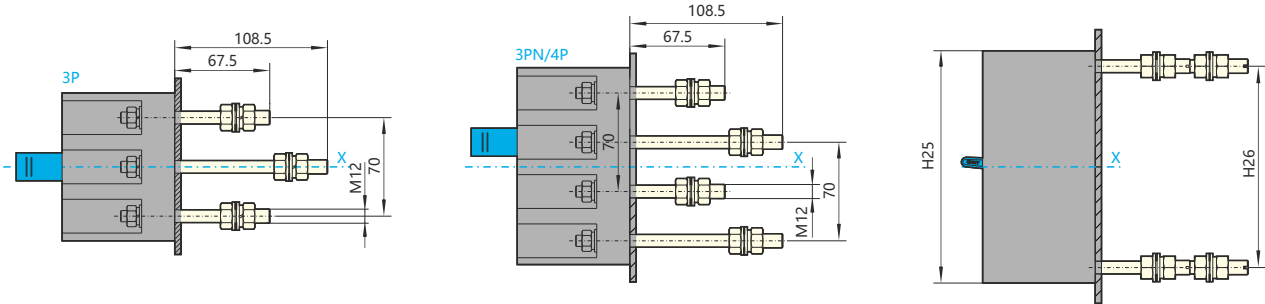
Front-panel wiring, installation size (mm)



Specification and model	D9	D9''			D10	D	H24			Remark	
		125/160A	180/200A	225/250A			1PN/2P	3P	3PN/4P		
NXM-250E/S	76.5	23.5	23.5	23.5	97	15	126	126	126	2P/3P/4P	98
NXM-250F/H	76.5	23.5	24.5	24.5	123	15	-	126	126	3P/4P	123
NXMS-250F/H	76.5	24.5			123	15	-	126	126	3P/4P	123
NXMLE-250S	76.5	24.5			98	15	131	131	131	1PN/2P/3PN/4P	98
NXMLE-250F/H	76.5	24.5			101	15	-	131	131	3P/3PN/4P	101
NXHM-250, 320	76.5	24.5			122	15	-	126	126	3P/4P	122

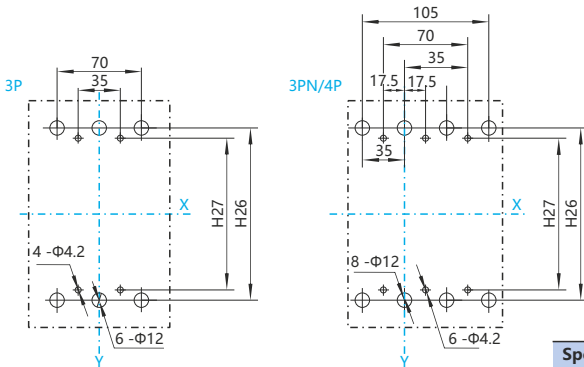
NXM-250E/S/F/H, NXMS-250F/H, NXMLE-250S/F/H, NXHM-250, 320

Installation size of baseplate (mm)



NXM-250E/S/F/H, NXMS-250F/H, NXMLE-250S/F/H, NXHM-250, 320

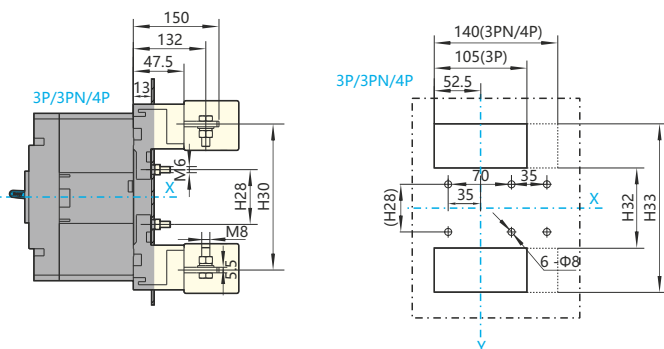
Installation size of baseplate (mm)



Specification and model	H25	H26	H27	Remark
NXM-250E/S/F/H	165	145	126	3P/4P
NXMS-250F/H	165	145	126	3P/4P
NXMLE-250S/F/H	170	150	131	3P/3PN/4P
NXHM-250, 320	165	145	126	3P/4P

NXM-250E/S/F/H, NXMS-250F/H, NXMLE-250S/F/H, NXHM-250, 320

Plug-in rear connection, dimension (mm)

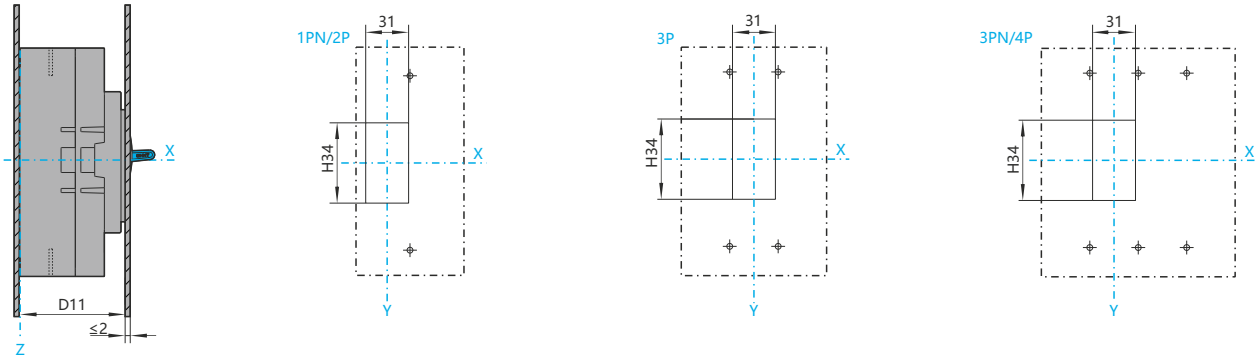


Specification and model	H28	H30	H32	H33	Remark
NXM-250E/S/F/H	74	145	108	180	3P/4P
NXMS-250F/H	74	145	108	180	3P/4P
NXMLE-250S/F/H	79	144	113	185	3P/3PN/4P
NXHM-250, 320	74	139	108	180	3P/4P



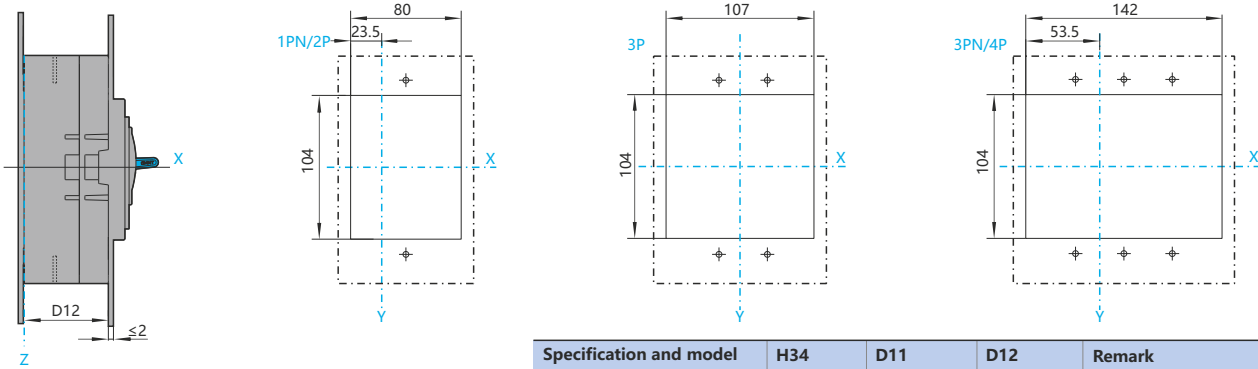
NXM-250E/S/F/H, NXMS-250F/H, NXMLE-250S/F/H, NXHM-250, 320

Cabinet gate hole (small) size (mm)



NXM-250E/S/F/H, NXMS-250F/H, NXMLE-250S/F/H, NXHM-250, 320

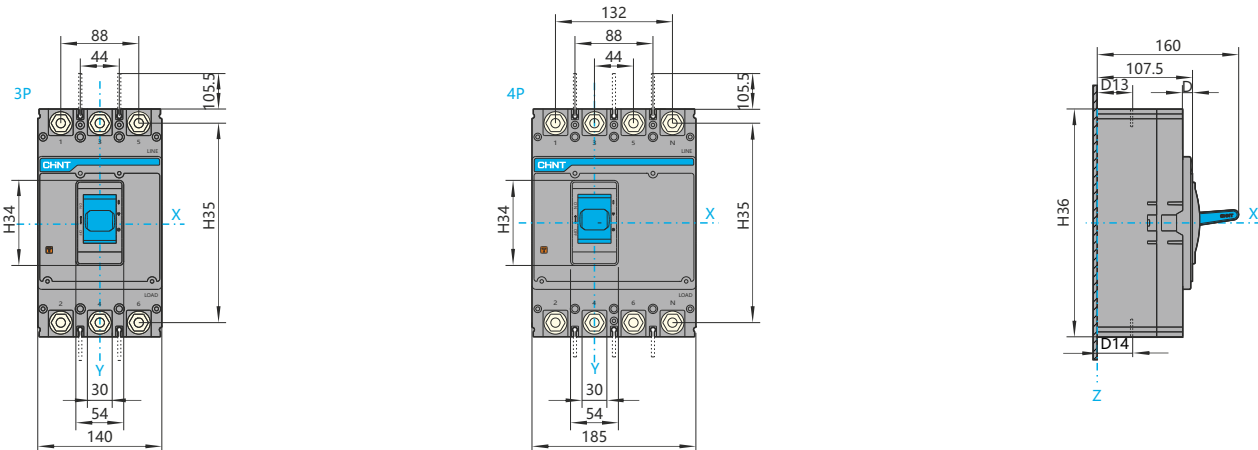
Cabinet gate hole (large) size (mm)



Specification and model	H34	D11	D12	Remark
NXM-250E/S	59	76.5	61.5	2P/3P/4P
NXM-250F/H	59	101.5	86.5	3P/4P
NXMS-250F/H	54.5	101.5	86.5	3P/4P
NXMLE-250S	59	76.5	61.5	1PN/2P/3P/3PN/4P
NXMLE-250F/H	59	79.5	64.5	3P/3PN/4P
NXHM-250, 320	59	76.5	61.5	3P/4P

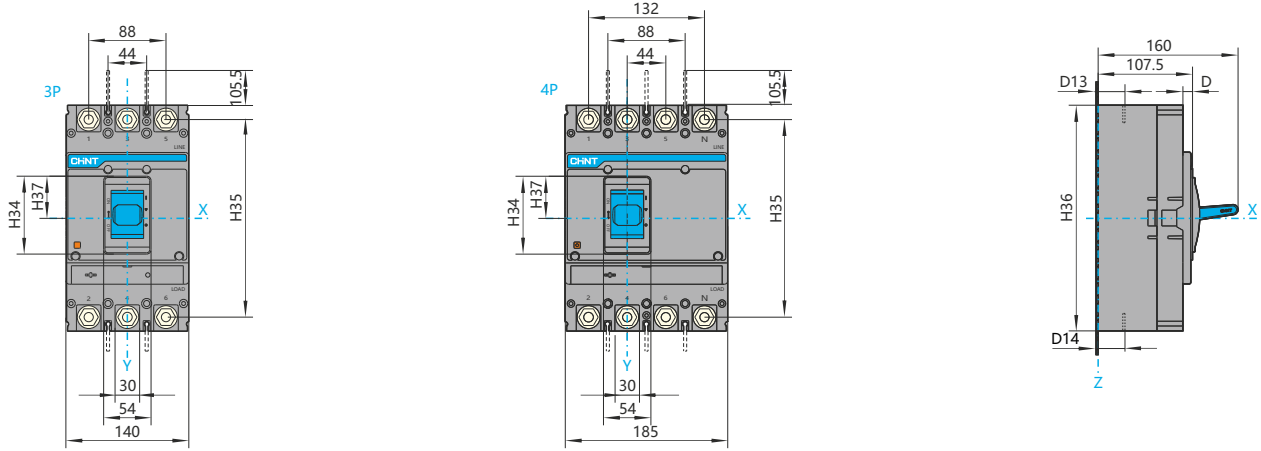
NXM-400E/S/F/H, 630E/S/F/H, NXHM-400, 630

Front connection, dimension (mm)



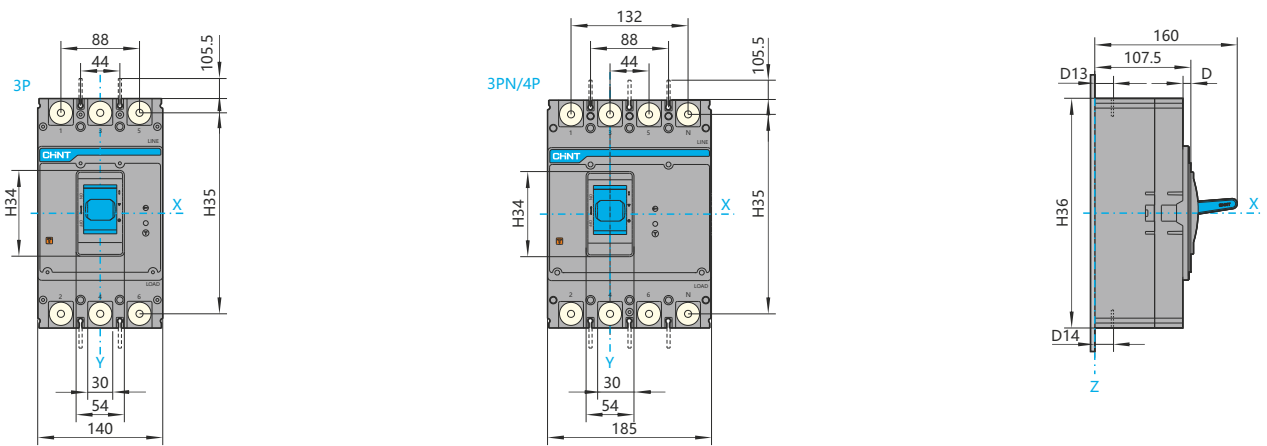
NXMS-400S/F/H, 630S/F/H

Front connection, dimension (mm)



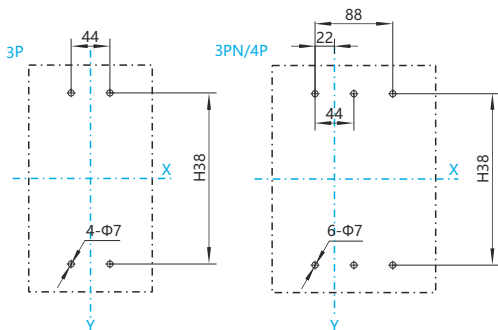
NXMLE-400S/F/H, 630S/F/H

Front connection, dimension (mm)



NXM-400E/S/F/H, 630E/S/F/H, NXMS-400E/F/H, 630E/F/H, NXMLE-400S/F/H, 630S/F/H, NXHM-400, 630

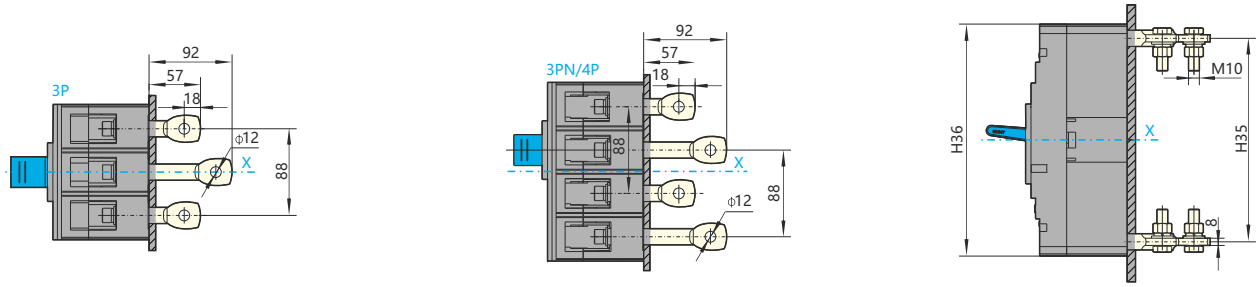
Installation size of baseplate (mm)



Specification and model	H34	H35	H36	H37	H38	D13	D14	D	Remark
NXM-400E/S/F/H NXM-630E/S/F/H	96	225	257	48	194	39	37	11	250A-280A
						40	36.8		300A-315A-320A
						40	37		350A-380A
						41	37.5		400A-450A
						41	38.5		500A-550A
NXMS-400S/F/H NXMS-630S/F/H	89	225	257	48	194	40	37.5	11	400A
						41	41		630A
						39	38		250A-280A
NXMLE-400S/F/H NXMLE-630S/F/H	96	235	267	53	228	40	36.8	11	300A-315A-320A
						40	37		350A-380A
						41	38		400A-450A
						41	39		500A-550A
						41	40		600A-630A
NXHM-400 NXHM-630	96	225	257	48	194	40	37.5	11	400A
						41	40		630A

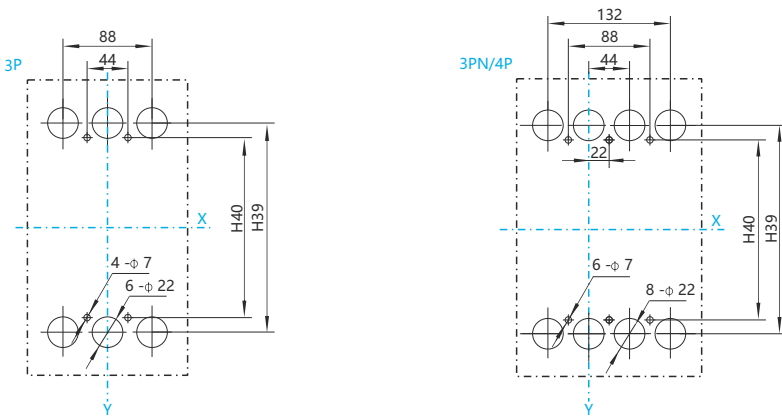
NXM-400E/S/F/H, 630E/S/F/H, NXMS-400E/F/H, 630E/F/H, NXMLE-400S/F/H, 630S/F/H, NXHM-400, 630

Rear connection, dimension (mm)



NXM-400E/S/F/H, 630E/S/F/H, NXMS-400E/F/H, 630E/F/H, NXMLE-400S/F/H, 630S/F/H, NXHM-400, 630

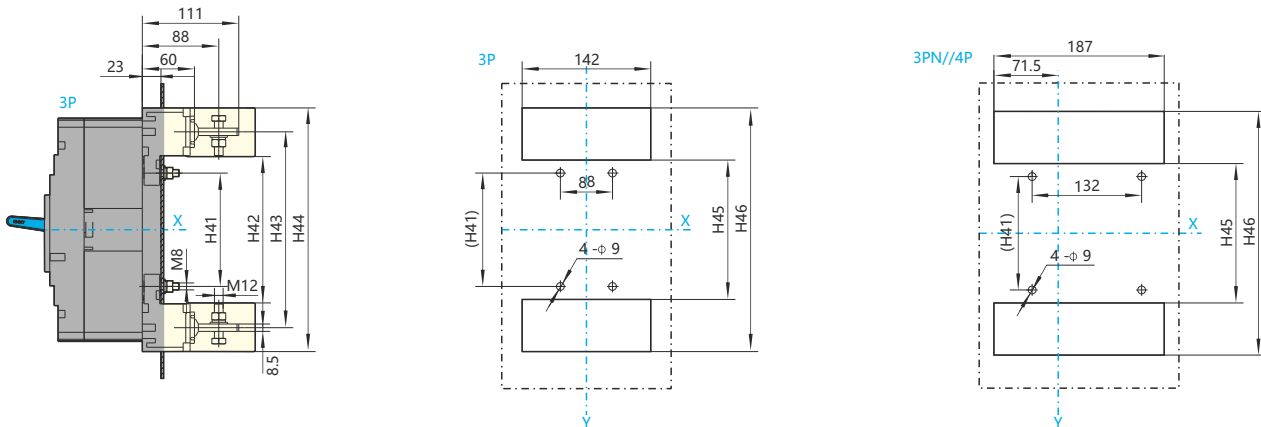
Installation size of baseplate (mm)



Specification and model	H39	H40	Remark
NXM-400E/S/F/H, 630E/S/F/H	225	194	3P/4P
NXMS-400S/F/H, 630S/F/H	225	194	3P/4P
NXMLE-400S/F/H	235	228	3P/3PN/4P
NXMLE-630S/F/H	235	228	3P/3PN/4P
NXHM-400, 630	225	194	3P/4P

NXM-400E/S/F/H, 630E/S/F/H, NXMS-400E/F/H, 630E/F/H, NXMLE-400S/F/H, 630S/F/H, NXHM-400, 630

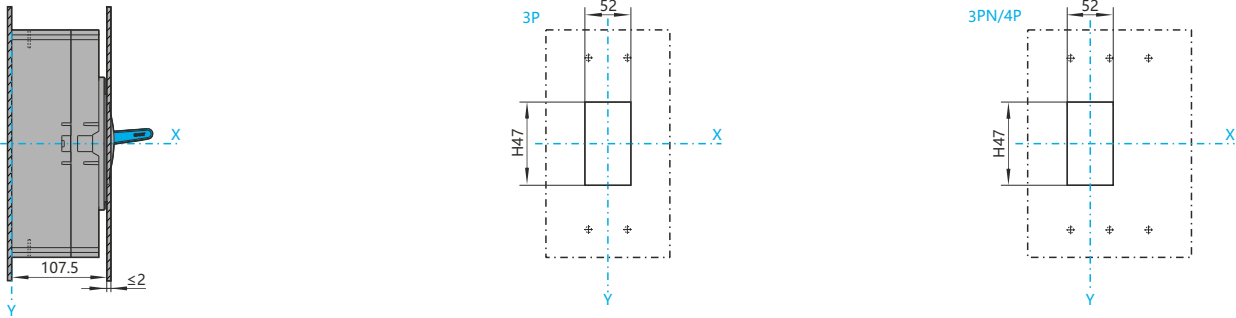
Plug-in rear connection, dimension (mm)



Specification and model	H41	H42	H43	H44	H45	H46	Remark
NXM-400E/S/F/H, 630E/S/F/H	145	171	225	281	168	283	3P/4P
NXMS-400S/F/H, 630S/F/H	145	171	225	281	168	283	3P/4P
NXMLE-400S/F/H	155	181	235	291	178	293	3P/3PN/4P
NXMLE-630S/F/H	155	181	235	291	178	293	3P/3PN/4P
NXHM-400, 630	145	171	225	281	168	283	3P/4P

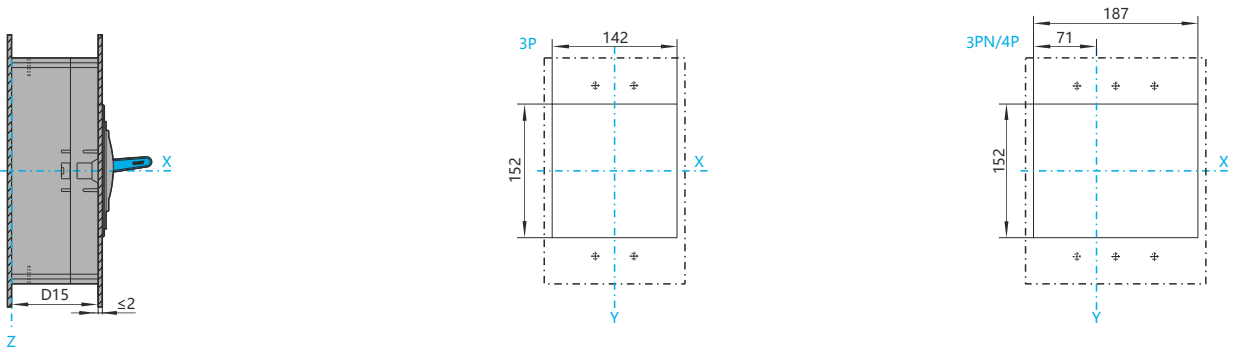
NXM-400E/S/F/H, 630E/S/F/H, NXMS-400E/F/H, 630E/F/H, NXMLE-400S/F/H, 630S/F/H, NXHM-400, 630

Cabinet gate hole (small) size (mm)



NXM-400E/S/F/H, 630E/S/F/H, NXMS-400E/F/H, 630E/F/H, NXMLE-400S/F/H, 630S/F/H, NXHM-400, 630

Cabinet gate hole (large) size (mm)



Specification and model	H47	D15	Remark
NXM-400E/S/F/H, 630E/S/F/H	94	96.5	3P/4P
NXMS-400S/F/H, 630S/F/H	87	96.5	3P/4P
NXMLE-400S/F/H, 630S/F/H	94	98.5	3P/3PN/4P
NXHM-400, 630	94	96.5	3P/4P

NXM-800S/F/H, NXHM-800

Front connection, dimension (mm)

